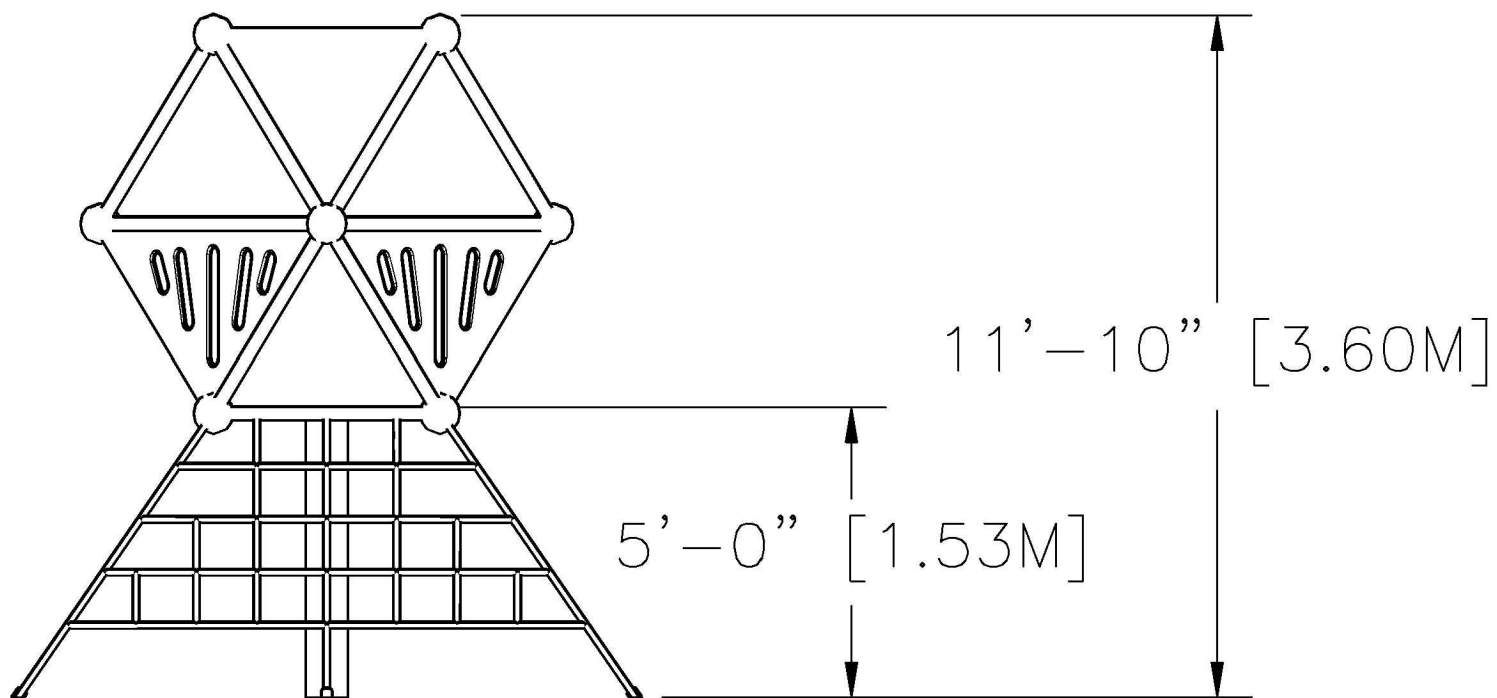


FREESTANDING EQUIPMENT

Elevation View

Scale: 1:40



PN: A2-NE-SH101
Date: 09/10/21
Drawn By: ACG

Sky House
Playcraft Systems



123 NORTH VALLEY DRIVE
GRANTS PASS, OR 97526
PH: 541-955-9199
FAX: 541-955-6130
www.playcraftsystems.com