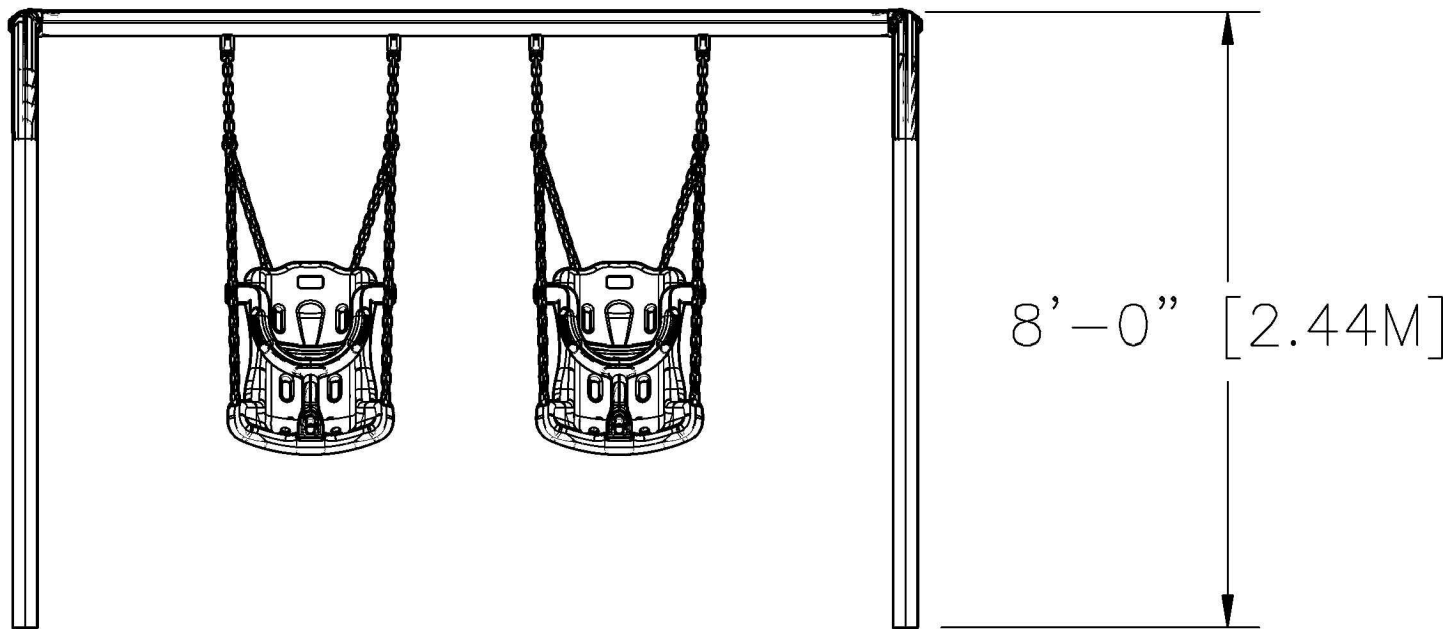


FREESTANDING EQUIPMENT

Elevation View

Scale: 1:30



PN: A2-2123-ADAX2
Date: 11/02/21
Drawn By: ACG

3.5" Arch Swing (2INC)
Playcraft Systems



123 NORTH VALLEY DRIVE
GRANTS PASS, OR 97526
PH: 541-955-9199
FAX: 541-955-6130
www.playcraftsystems.com