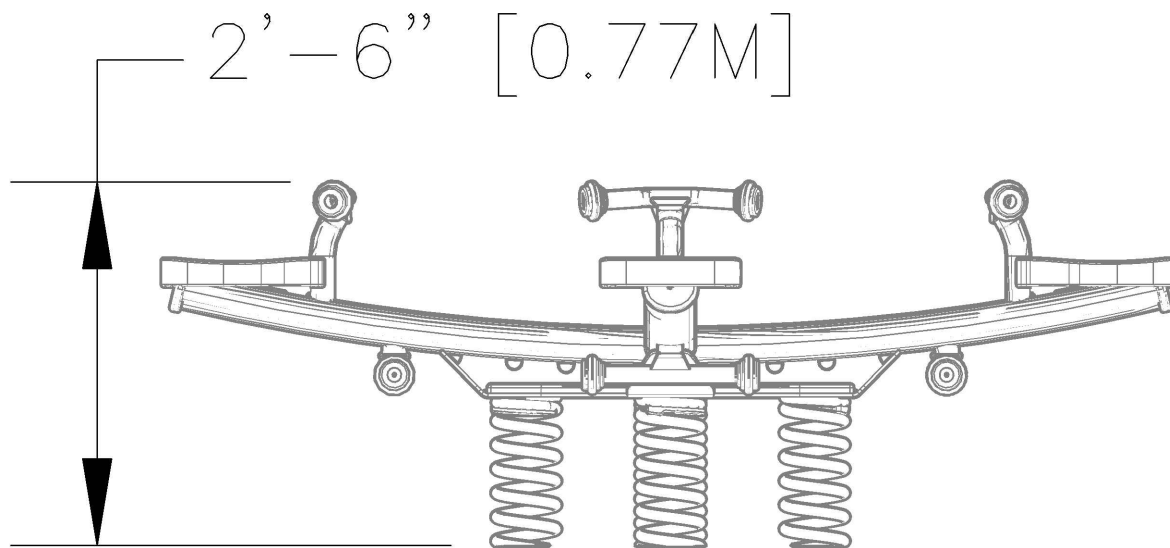


FREESTANDING EQUIPMENT

Elevation View

Scale: 1:16



PN: A2-1924
Date: 10/01/21
Drawn By: CMG

Quad Teeter Totter
Playcraft Systems



123 NORTH VALLEY DRIVE
GRANTS PASS, OR 97526
PH: 541-955-9199
FAX: 541-955-6130
www.playcraftsystems.com